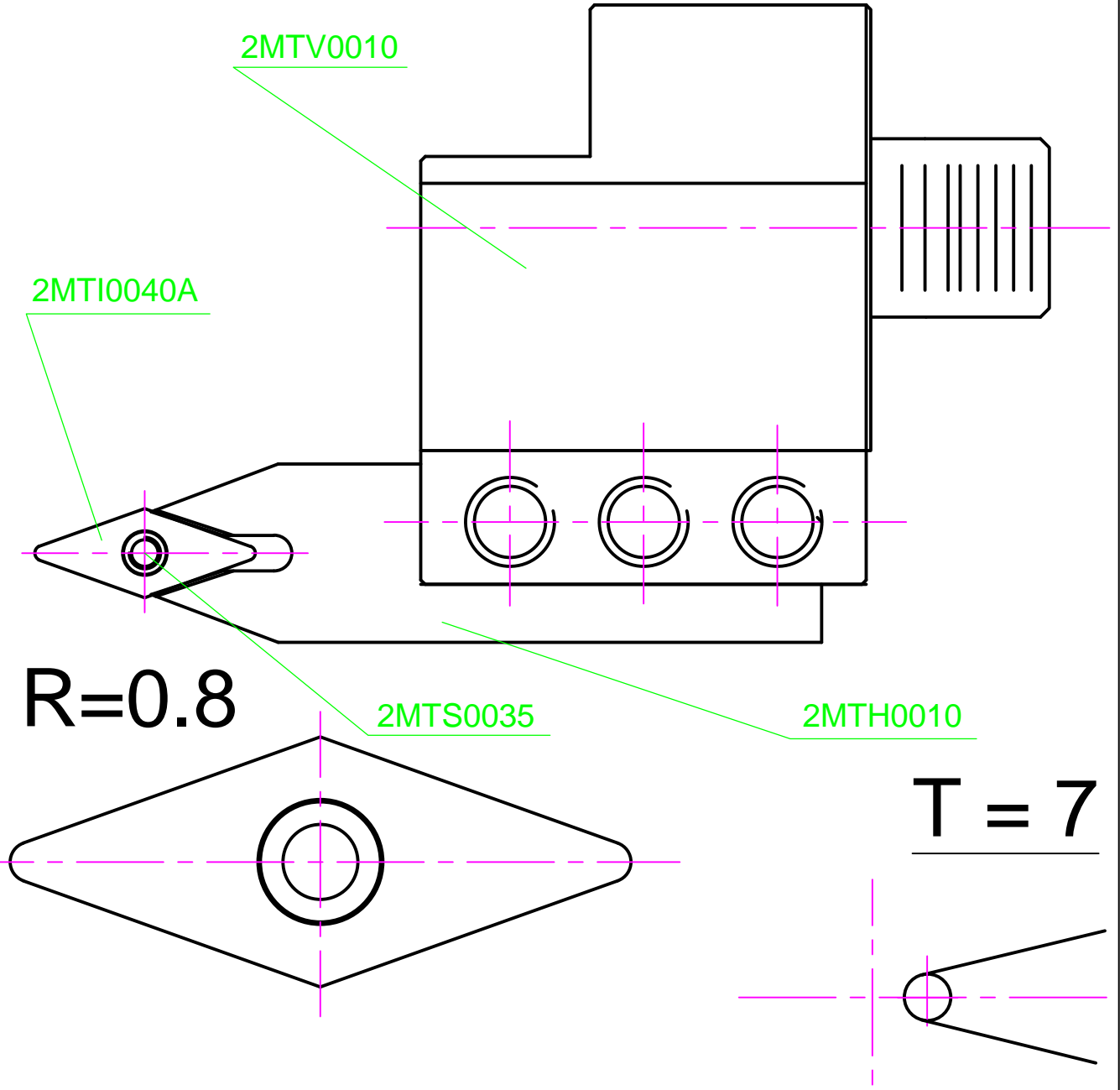



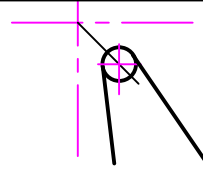
T 3 03

Basis Tool: For the Offset, in Z-Axis.



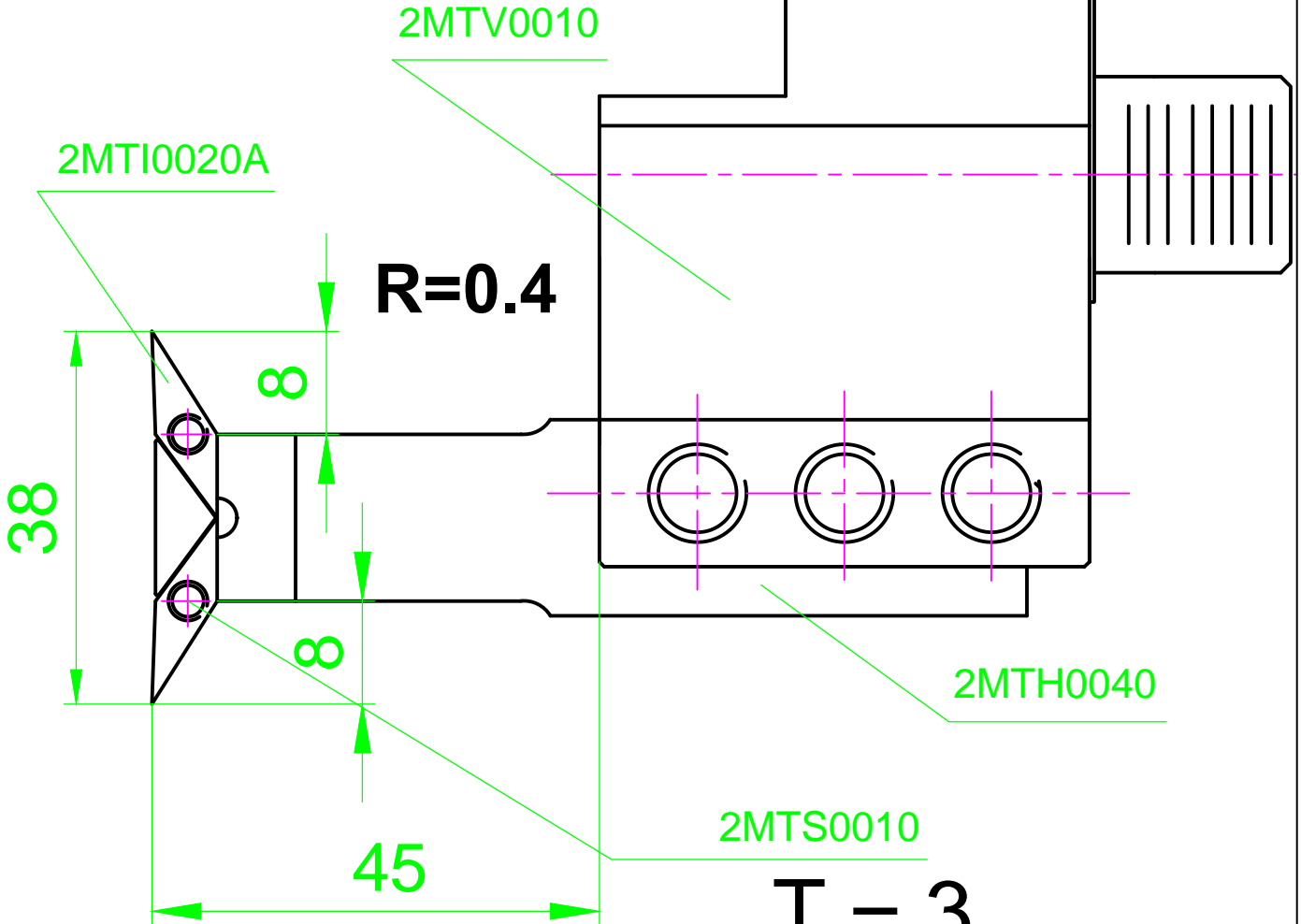
		Scale:	(Material,) (Raw Material-No.) (Modell-No.)	TOOL-303	
		1:1	Description	Part. No.: 000000000000	
Editor	Date	Name	Tolerances:	Program No.:	Drwg.No.:
Check	00.00.00	NAME	DIN 7168	No.:000000000000	0000000000
			fine	Replacement for: Drwg.No.	File Name: UTEC_TOOL_303
UTEC Sealing Solution Co.,Ltd., No.28 Dong Hong Rd., 215123 Suzhou, P.R. China Tel: +86 (512) 62795018 Fax: +86 (512) 62797880					

T 1 13

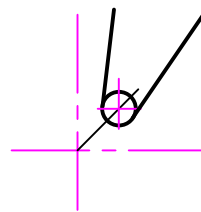


SOFT MATERIAL

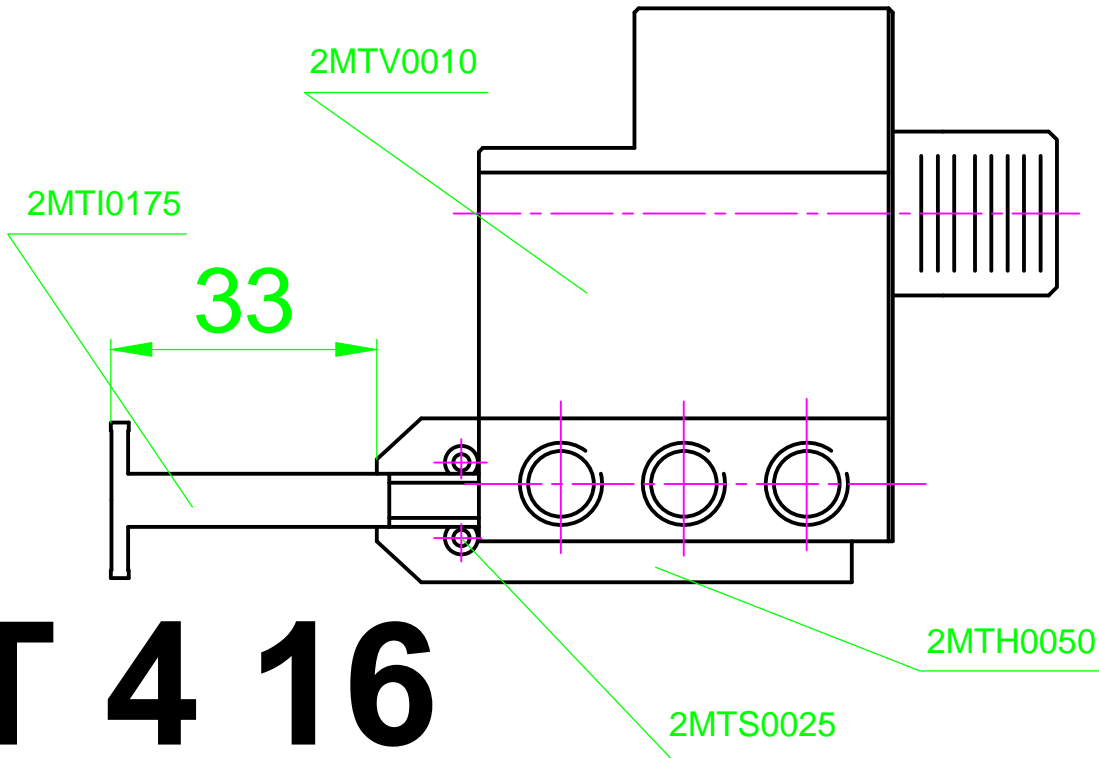
T = 2



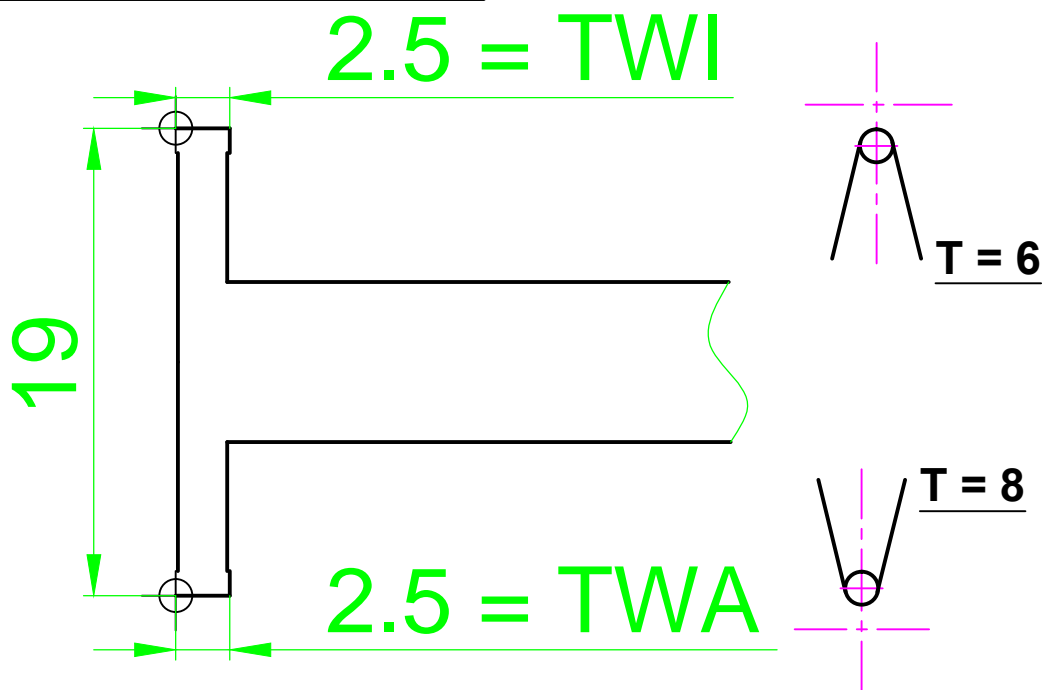
T 1 01



		Scale:	(Material.) (Raw Material-No.) (Modell-No.)	TOOL-101-113 Part. No.: 000000000000
		1:1	Description	
Date	Name	Tolerances:	Program No.:	Drwg.No.:
Editor	24.06.10	E.PENDL	DIN 7168	No.:000000000000
Check	00.00.00	NAME	fine	Replacement for: Drwg.No.
			File Name: UTEC_TOOL_101-113	
UTEC Sealing Solution Co.,Ltd., No.28 Dong Hong Rd., 215123 Suzhou, P.R. China Tel: +86 (512) 62795018 Fax: +86 (512) 62797880				



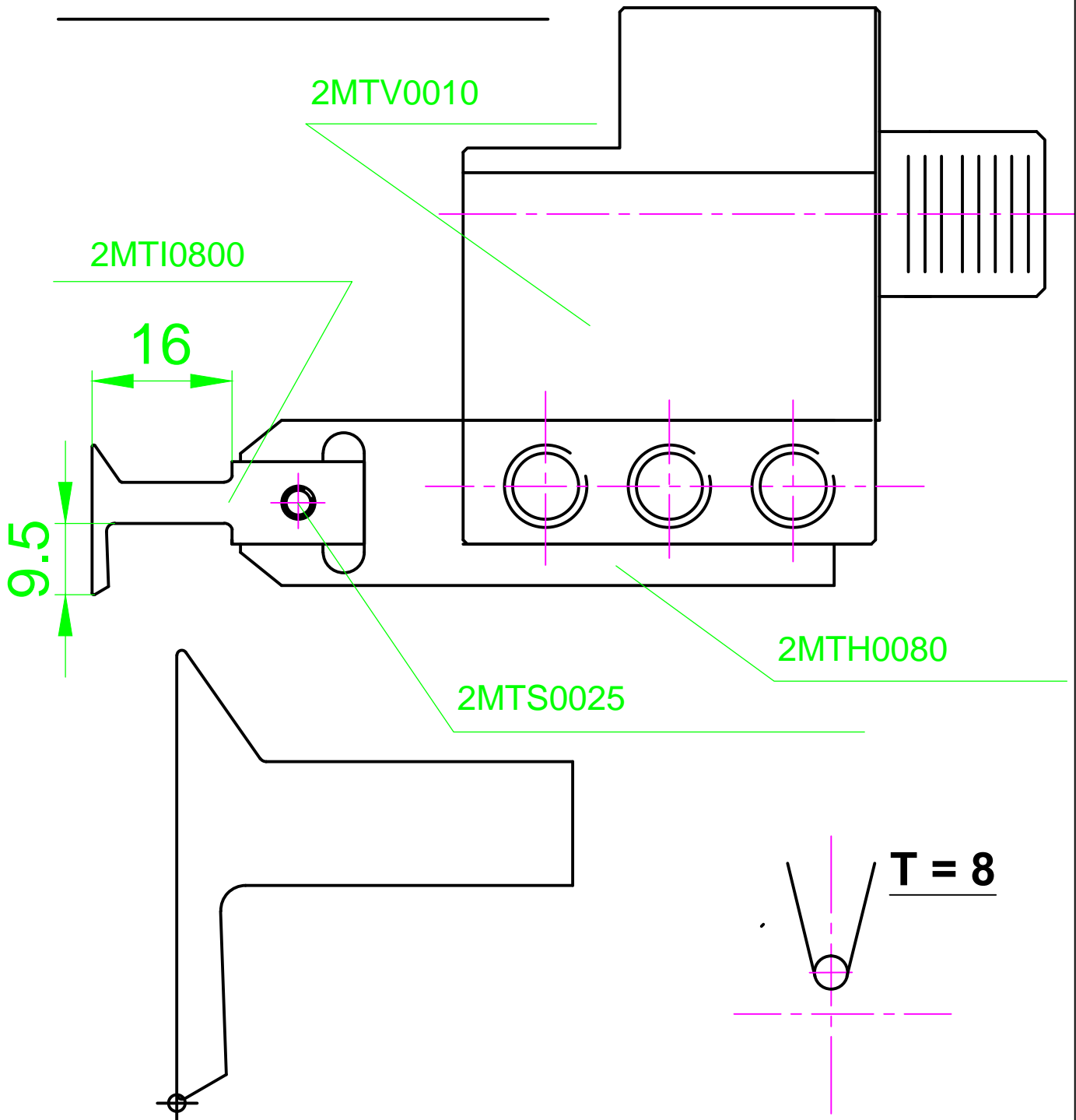
T 4 16




T 4 04

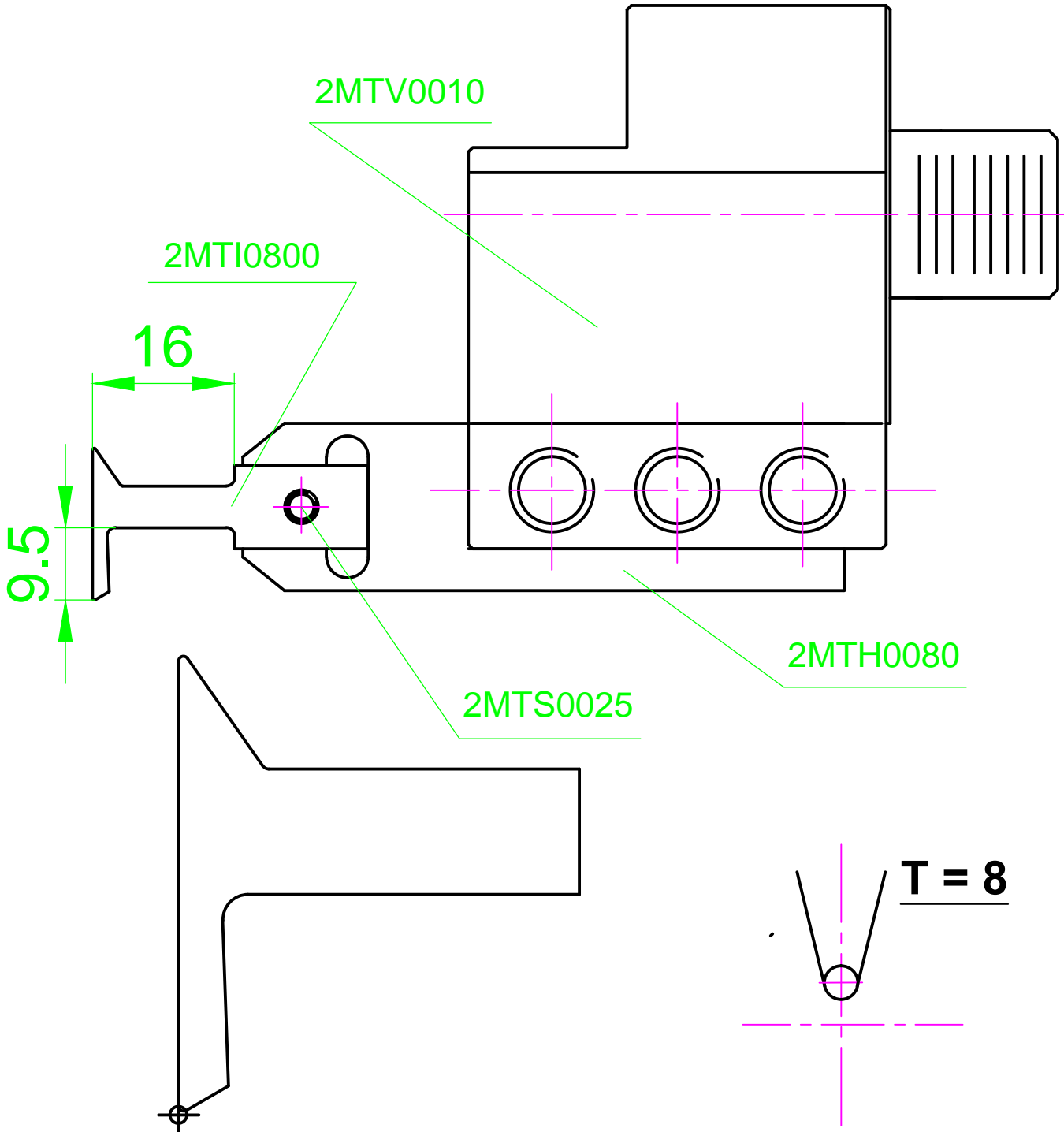
		Scale:	(Material,) (Raw Material-No.) (Modell-No.)	TOOL-404-416 Description
		1:1		
Date	Name	Tolerances:	Program No.:	Drwg.No.:
Editor 24.06.10	E.PENDL	DIN 7168	No.:000000000000	0000000000
Check. 00.00.00	NAME	fine	Replacement for: Drwg.No.	File Name: UTEC_TOOL_404-416
UTEC Sealing Solution Co.,Ltd., No.28 Dong Hong Rd., 215123 Suzhou, P.R. China Tel: +86 (512) 62795018 Fax: +86 (512) 62797880				


T 4 15



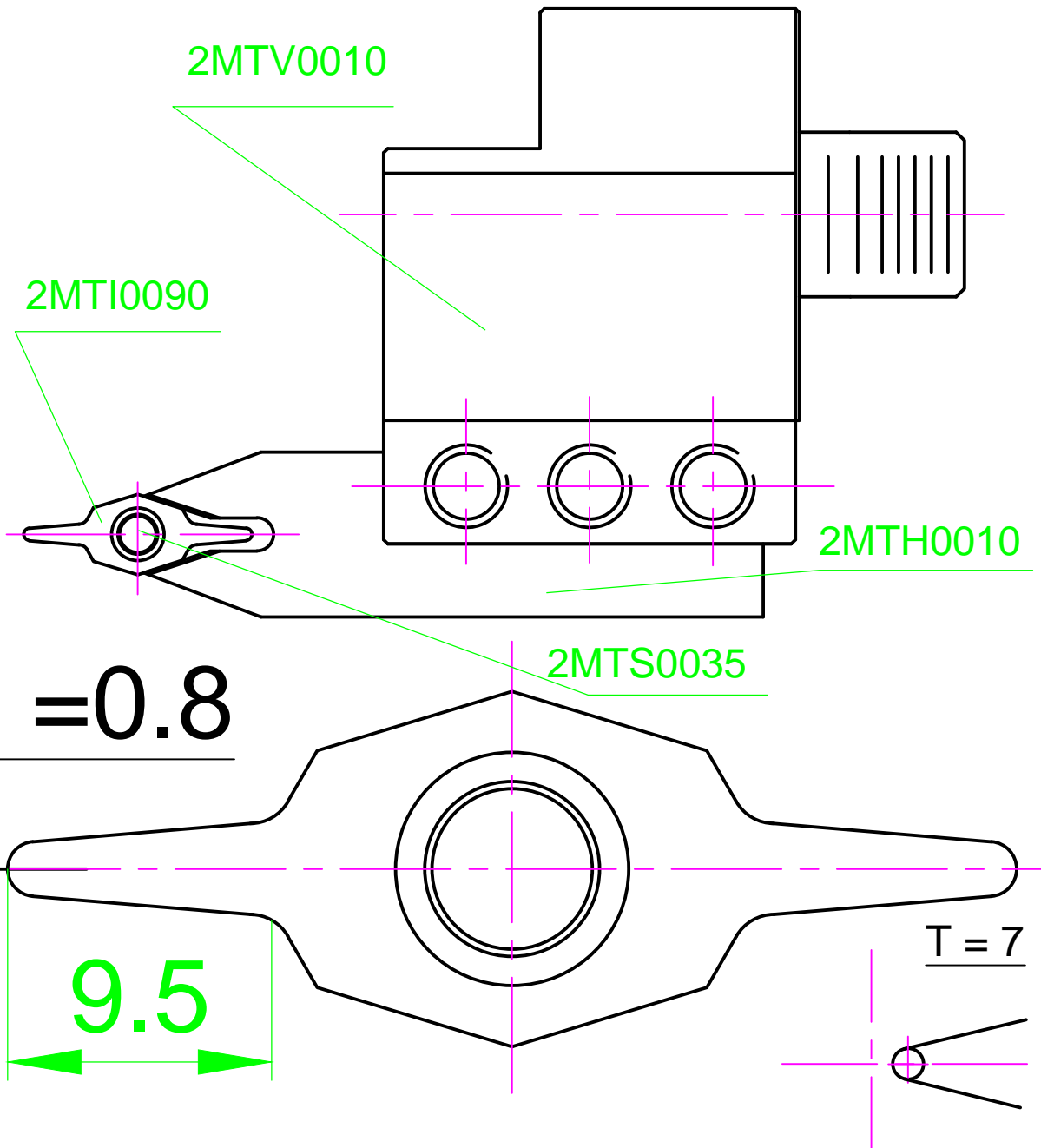
		Scale:	(Material,) (Raw Material-No.) (Modell-No.)	TOOL-415	
		1:1	Description	Part. No.: 000000000000	
Editor	Date	Name	Tolerances:	Program No.:	Drwg.No.:
Check.	00.00.00	NAME	DIN 7168	No.:000000000000	0000000000
			fine	Replacement for: Drwg.No.	File Name: UTEC_TOOL_415
UTEC Sealing Solution Co.,Ltd., No.28 Dong Hong Rd., 215123 Suzhou, P.R. China Tel: +86 (512) 62795018 Fax: +86 (512) 62797880					


T 7 15



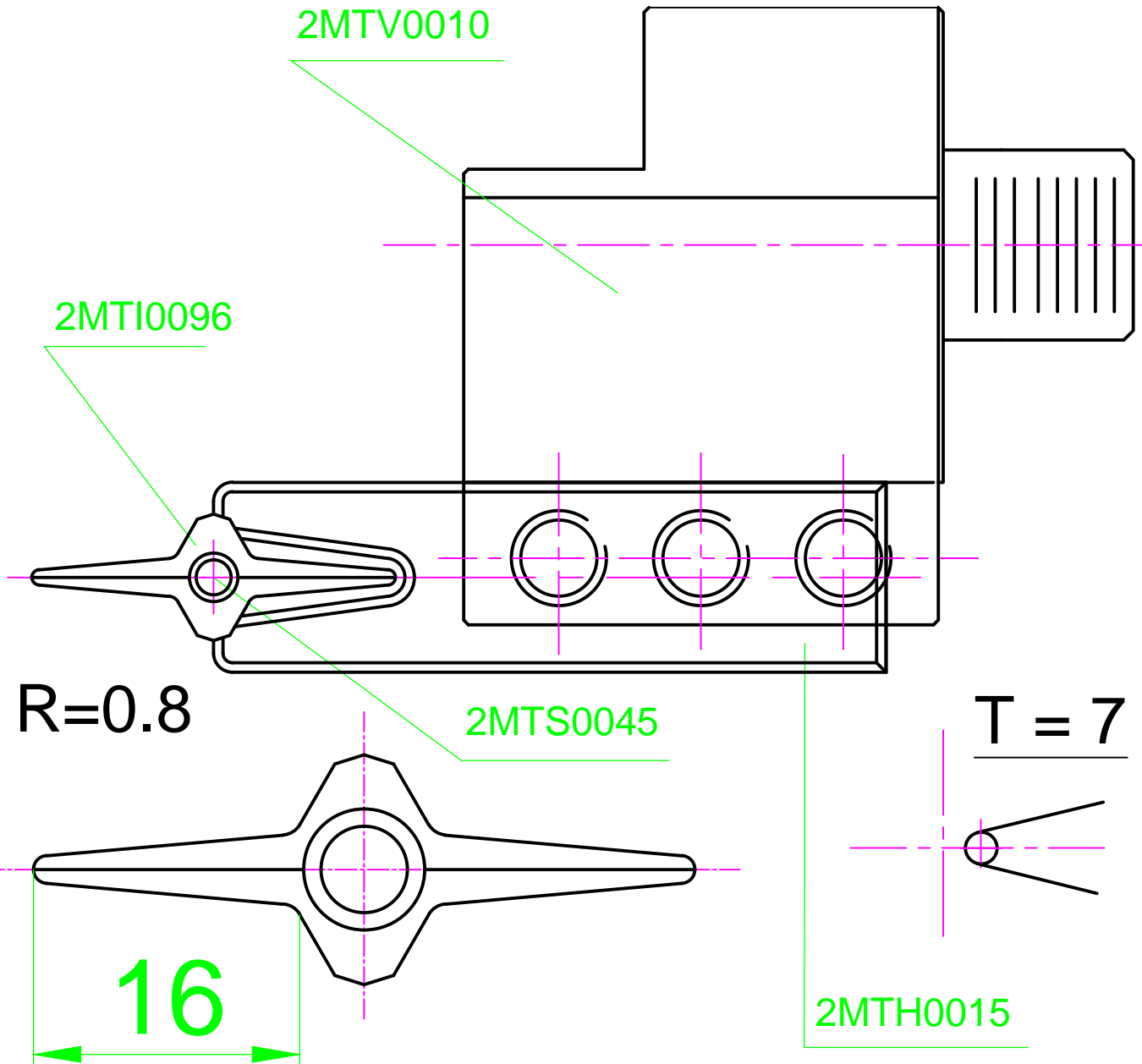
		Scale:	(Material,) (Raw Material-No.) (Modell-No.)	TOOL-715 Part. No.: 000000000000	
		1:1	Description		
Editor	Date	Name	Tolerances:	Program No.:	Drwg.No.:
Check.	00.00.00	NAME	DIN 7168	No.:000000000000	0000000000
			fine	Replacement for: Drwg.No.	File Name: UTEC_TOOL_715
UTEC Sealing Solution Co.,Ltd., No.28 Dong Hong Rd., 215123 Suzhou, P.R. China Tel: +86 (512) 62795018 Fax: +86 (512) 62797880					


T 5 05



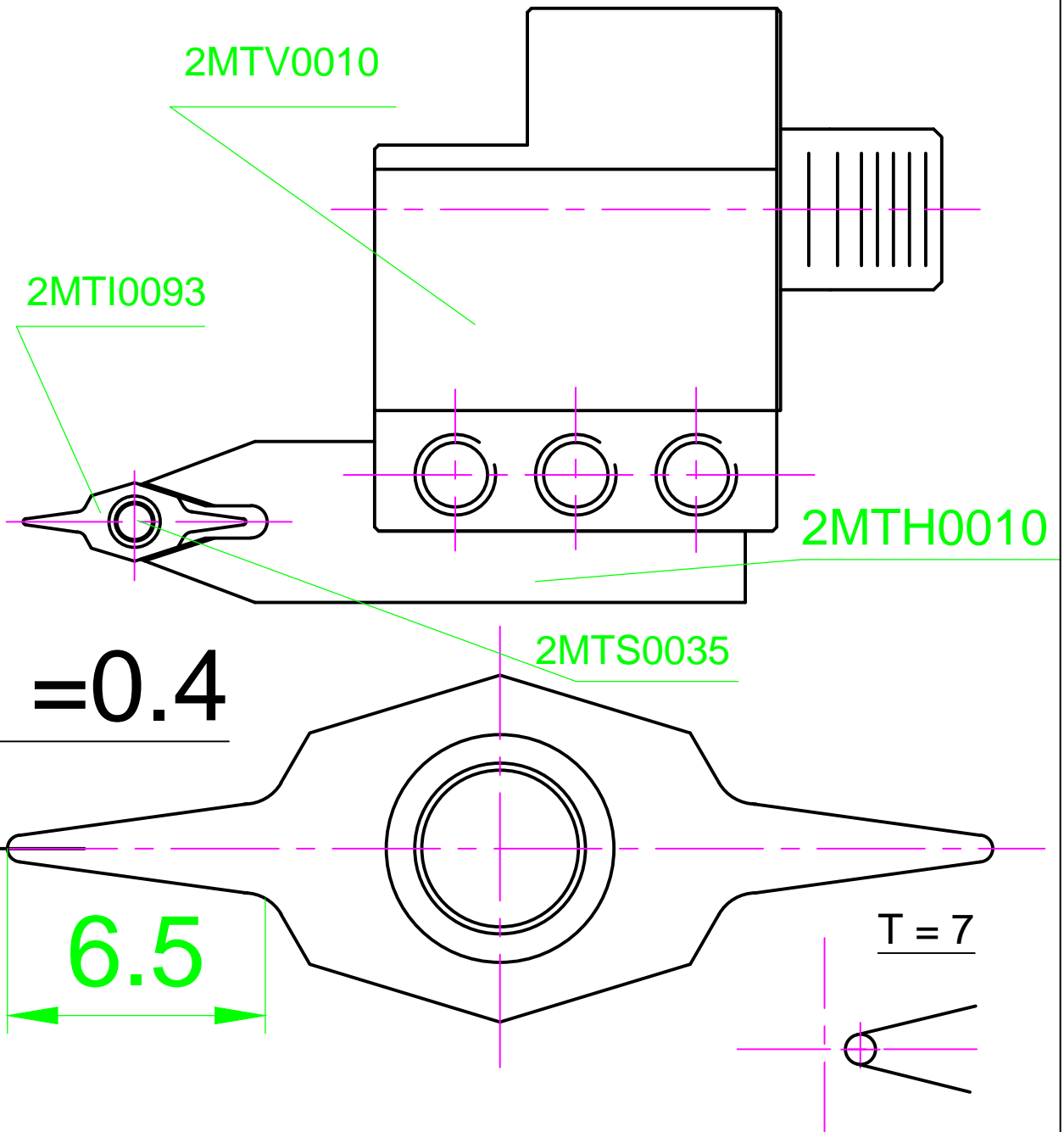
		Scale:	(Material,) (Raw Material-No.) (Modell-No.)	<h2>TOOL-505</h2>
		1:1	Description	
Date	Name	Tolerances:	Program No.:	Drwg.No.:
Editor 24.06.10	E.PENDL	DIN 7168	No.:000000000000	0000000000
Check 00.00.00	NAME	fine	Replacement for: Drwg.No.	File Name: UTEC_TOOL_505
UTEC Sealing Solution Co.,Ltd., No.28 Dong Hong Rd., 215123 Suzhou, P.R. China Tel: +86 (512) 62795018 Fax: +86 (512) 62797880				


T 5 12



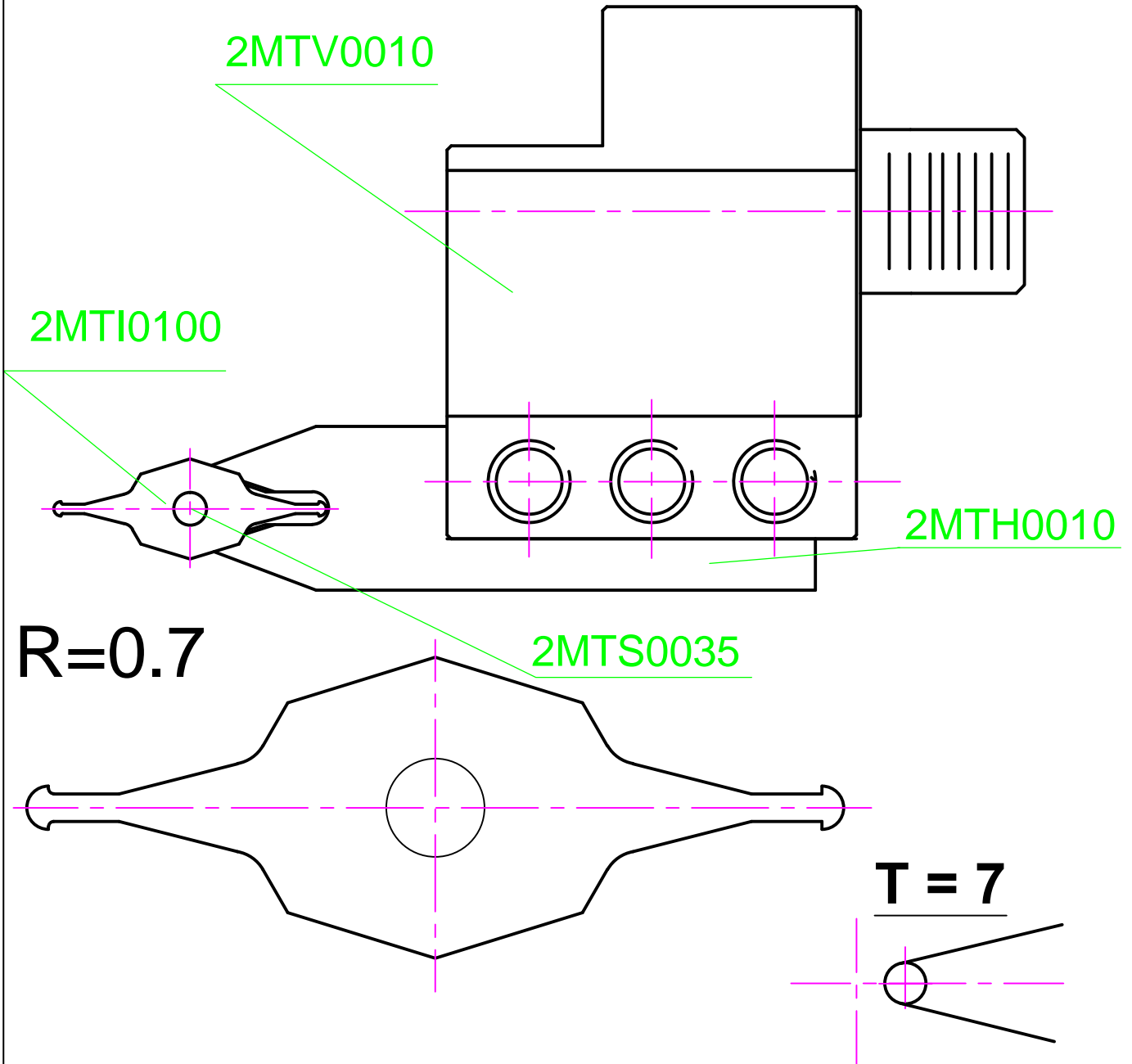
 UTEC sealing solutions		Scale:	(Material,) (Raw Material-No.) (Modell-No.)	TOOL-512 Part. No.: 000000000000
		1:1	Description	
Date	Name	Tolerances:	Program No.:	Drwg.No.:
Editor 24.06.10	E.PENDL	DIN 7168	No.:000000000000	0000000000
Check 00.00.00	NAME	fine	Replacement for: Drwg.No.	File Name: UTEC_TOOL_512
UTEC Sealing Solution Co.,Ltd., No.28 Dong Hong Rd., 215123 Suzhou, P.R. China Tel: +86 (512) 62795018 Fax: +86 (512) 62797880				


T 5 27



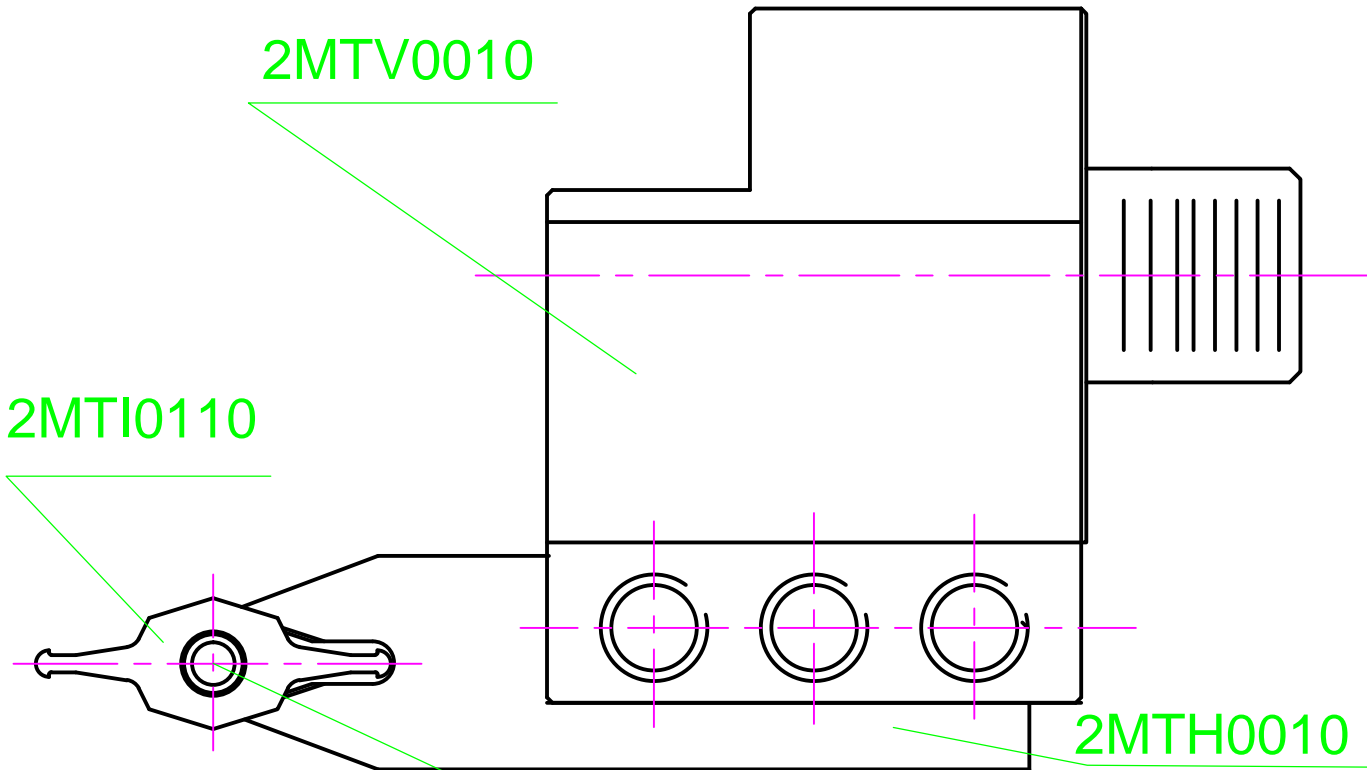
		Scale:	(Material.) (Raw Material-No.) (Modell-No.)	<h2>TOOL-527</h2>
		1:1	Description	
Date	Name	Tolerances:	Program No.:	Drwg.No.:
Editor 24.06.10	E.PENDL	DIN 7168	No.:000000000000	0000000000
Check 00.00.00	NAME	fine	Replacement for: Drwg.No.	File Name: UTEC_TOOL_527
UTEC Sealing Solution Co.,Ltd., No.28 Dong Hong Rd., 215123 Suzhou, P.R. China Tel: +86 (512) 62795018 Fax: +86 (512) 62797880				

T 5 02

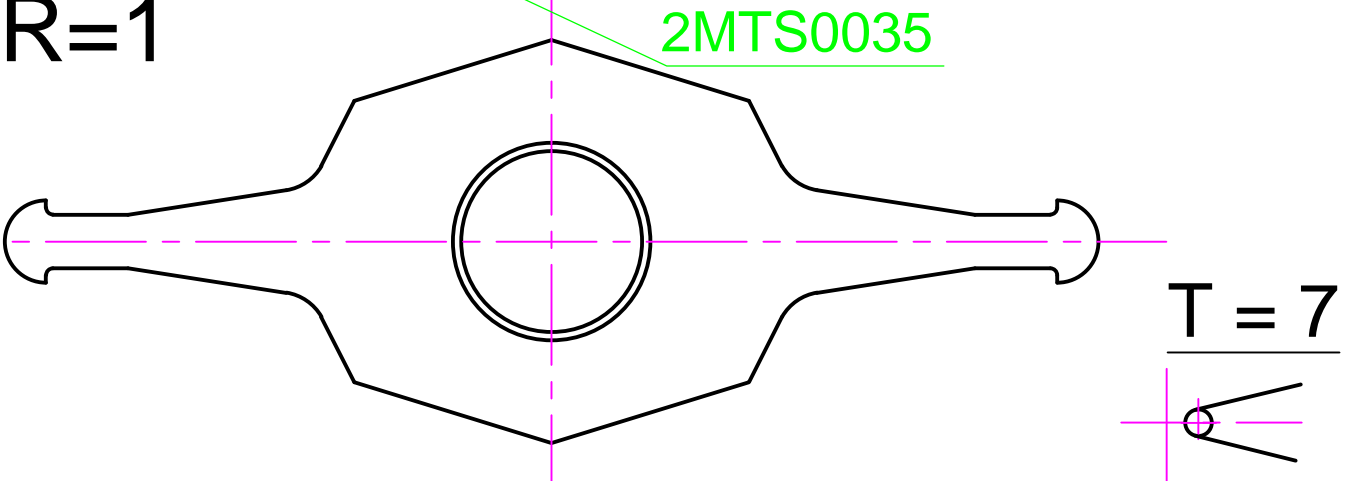


		Scale:	(Material.) (Raw Material-No.) (Modell-No.)	TOOL-502 Part. No.: 000000000000
		1:1	Description	
Editor	Date	Name	Tolerances:	Program No.:
24.06.10	E.PENDL		DIN 7168	No.:000000000000
00.00.00	NAME		fine	Replacement for:
				Drwg.No.:
				0000000000
				File Name:
				UTEC_TOOL_502

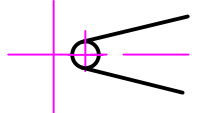
T 5 14




R=1

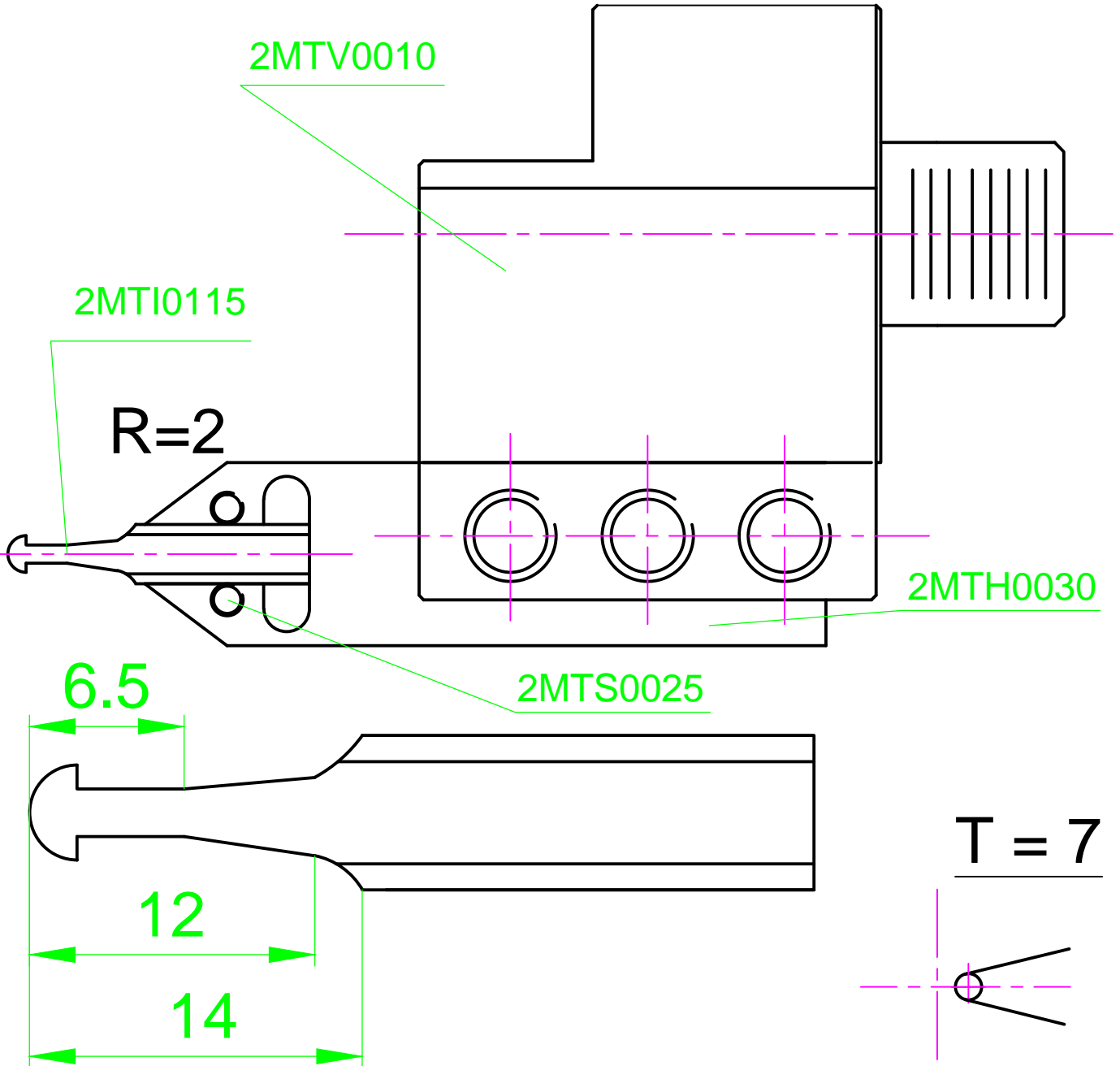



T = 7



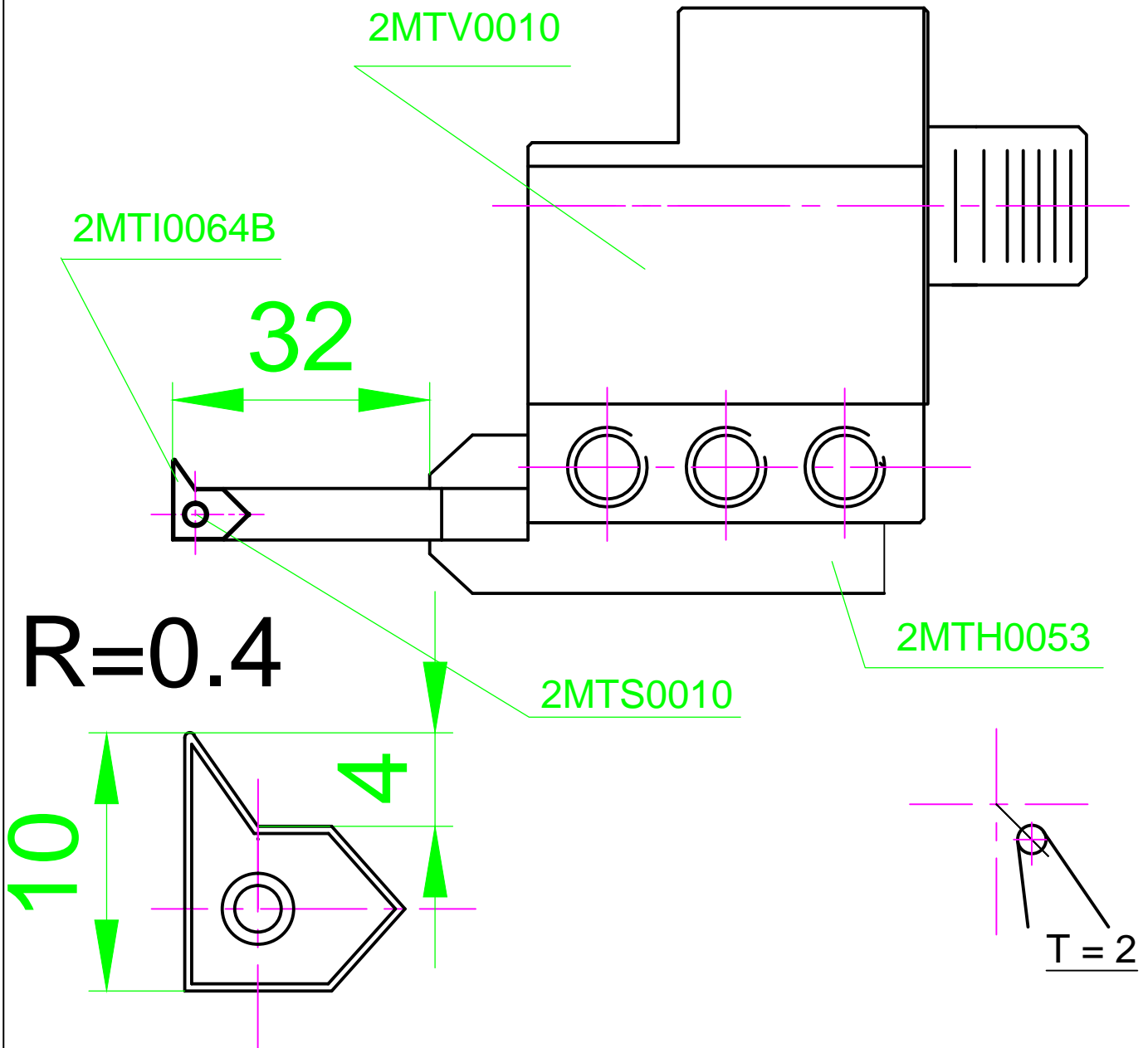
		Scale:	(Material,) (Raw Material-No.) (Modell-No.)	<h1>TOOL-514</h1>
		1:1	Description	
Date	Name	Tolerances:	Program No.:	Drwg.No.:
Editor 24.06.10	E.PENDL	DIN 7168	No.:000000000000	0000000000
Check 00.00.00	NAME	fine	Replacement for: Drwg.No.	File Name: UTEC_TOOL_514
UTEC Sealing Solution Co.,Ltd., No.28 Dong Hong Rd., 215123 Suzhou, P.R. China Tel: +86 (512) 62795018 Fax: +86 (512) 62797880				


T 5 58



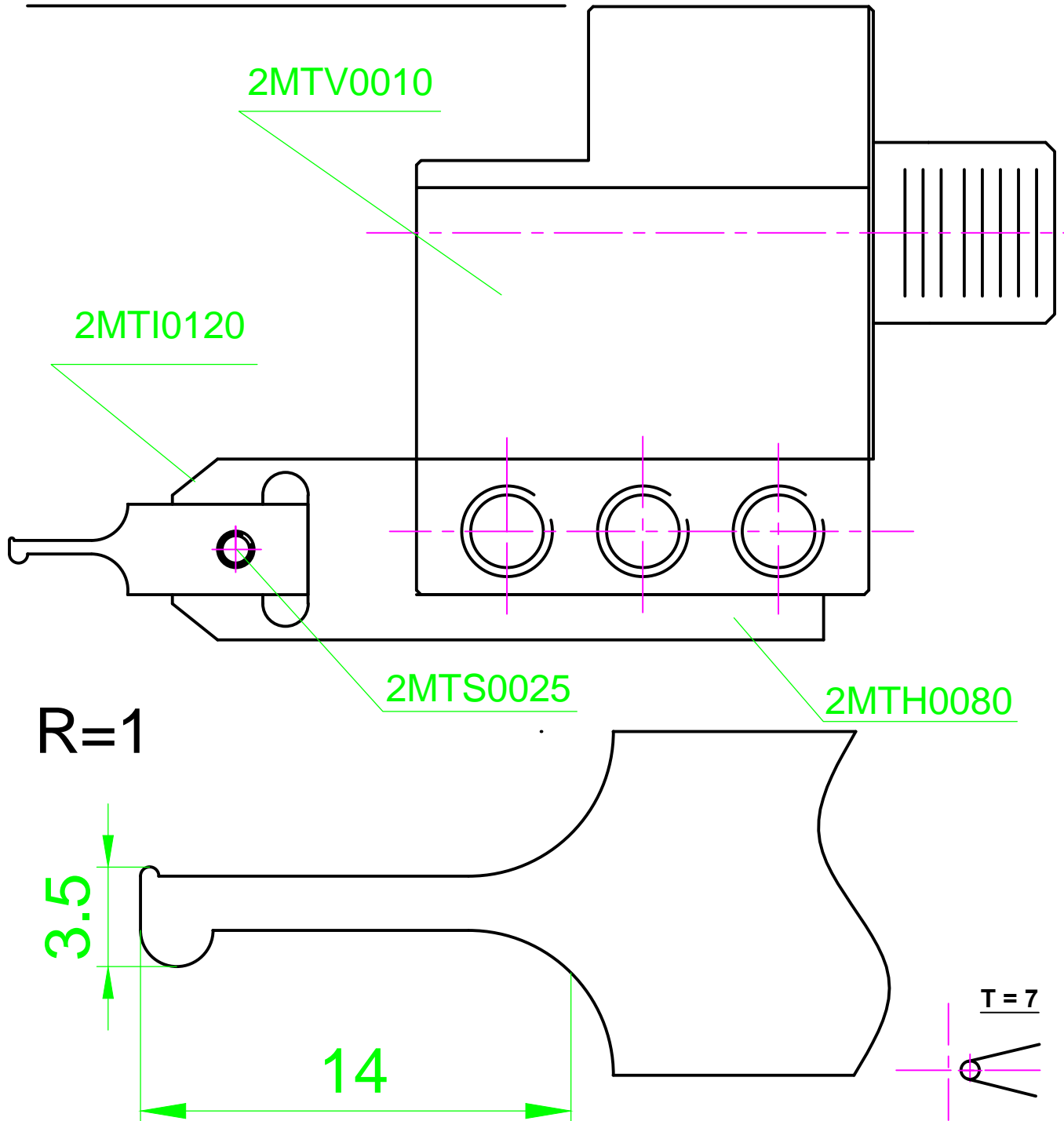
 UTEC sealing solutions		Scale:	(Material, Raw Material-No.) (Modell-No.)	TOOL-558 Part. No.: 000000000000
		1:1	Description	
Date	Name	Tolerances:	Program No.:	Drwg.No.:
Editor 24.06.10	E.PENDL	DIN 7168	No.:000000000000	0000000000
Check 00.00.00	NAME	fine	Replacement for: Drwg.No.	File Name: UTEC_TOOL_558
UTEC Sealing Solution Co.,Ltd., No.28 Dong Hong Rd., 215123 Suzhou, P.R. China Tel: +86 (512) 62795018 Fax: +86 (512) 62797880				


T 6 18

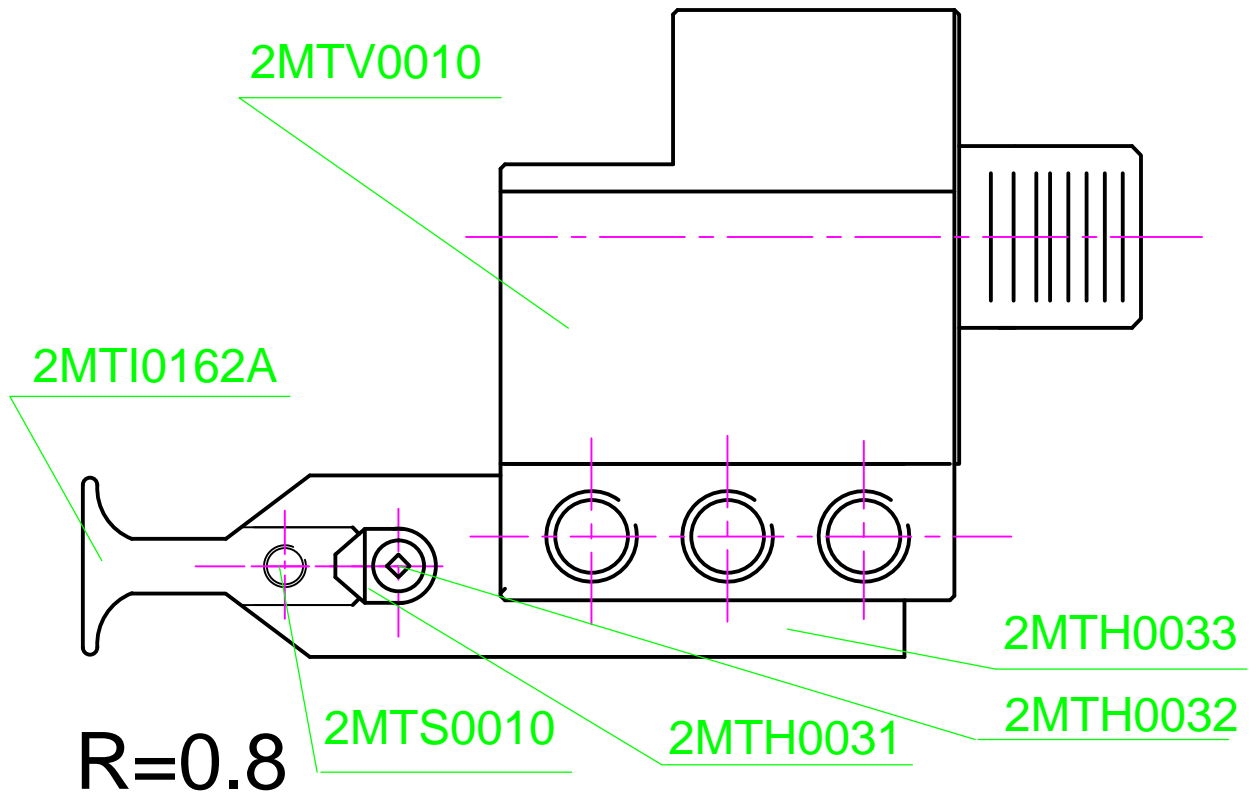


 UTEC sealing solutions		Scale: (Material,) (Raw Material-No.) (Modell-No.) 1:1	TOOL-618 Description Part. No.: 000000000000
Date Editor: 24.06.10 Check: 00.00.00	Name E.PENDL NAME	Tolerances: DIN 7168 fine	Program No.: No.: 000000000000 Replacement for: Drwg.No.
		Drwg.No.: 0000000000	File Name: UTEC_TOOL_618
UTEC Sealing Solution Co.,Ltd., No.28 Dong Hong Rd., 215123 Suzhou, P.R. China Tel: +86 (512) 62795018 Fax: +86 (512) 62797880			

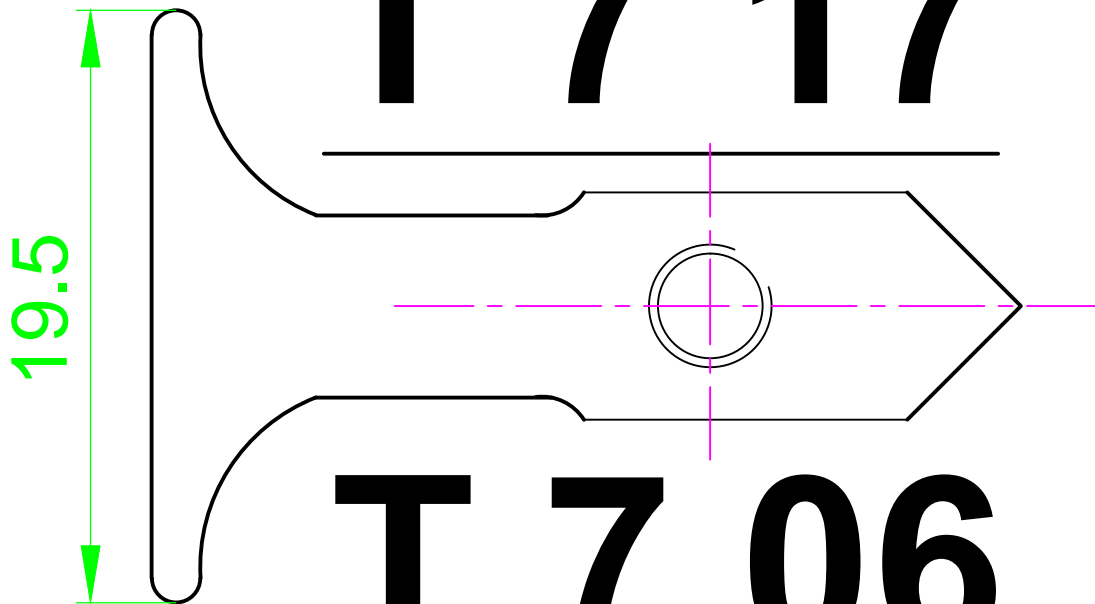
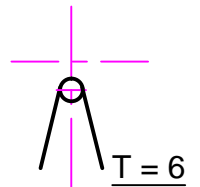
T 7 09



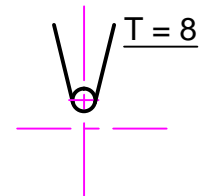
		Scale:	(Material.) (Raw Material-No.) (Modell-No.)	TOOL-709 Part. No.: 000000000000	
		1:1	Description		
Editor	Date	Name	Tolerances:	Program No.:	Drwg.No.:
Check	00.00.00	NAME	DIN 7168	No.:000000000000	0000000000
			fine	Replacement for: Drwg.No.	File Name: UTEC_TOOL_709
UTEC Sealing Solution Co.,Ltd., No.28 Dong Hong Rd., 215123 Suzhou, P.R. China Tel: +86 (512) 62795018 Fax: +86 (512) 62797880					



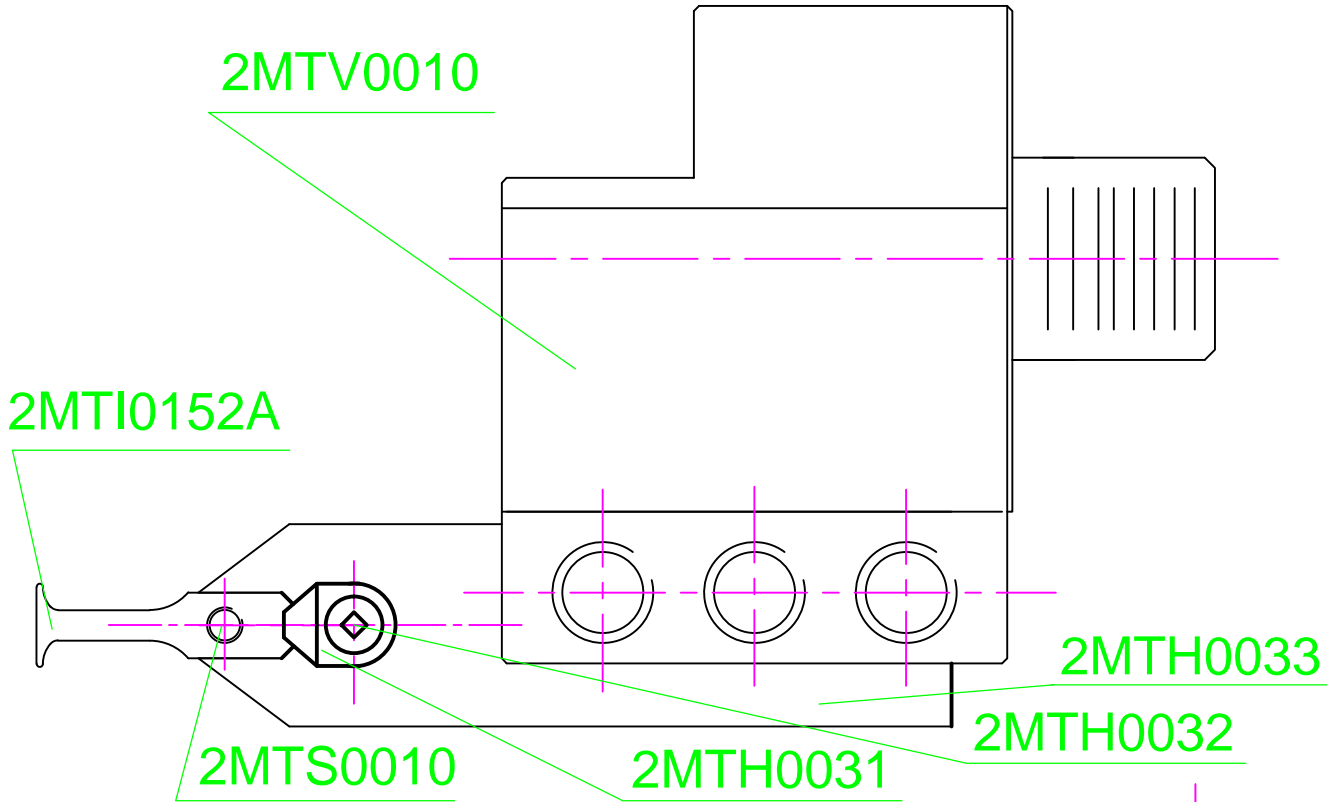
T 7 17



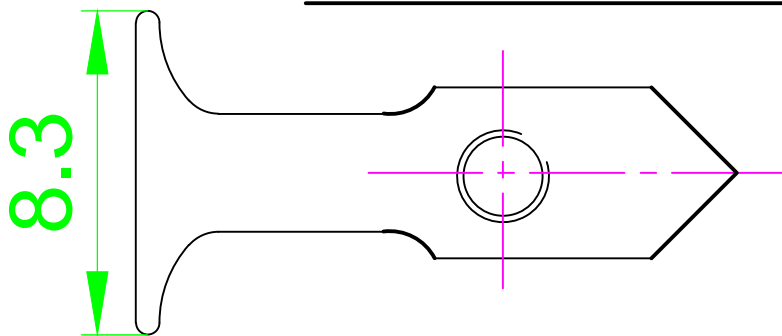
T 7 06




		Scale:	(Material,) (Raw Material-No.) (Modell-No.)	TOOL-706-717 Part. No.: 000000000000
		1:1	Description	
Date	Name	Tolerances:	Program No.:	Drwg.No.:
Editor 24.06.10	E.PENDL	DIN 7168	No.:000000000000	0000000000
Check 00.00.00	NAME	fine	Replacement for: Drwg.No.	File Name: UTEC_TOOL_706-717
UTEC Sealing Solution Co.,Ltd., No.28 Dong Hong Rd., 215123 Suzhou, P.R. China Tel: +86 (512) 62795018 Fax: +86 (512) 62797880				

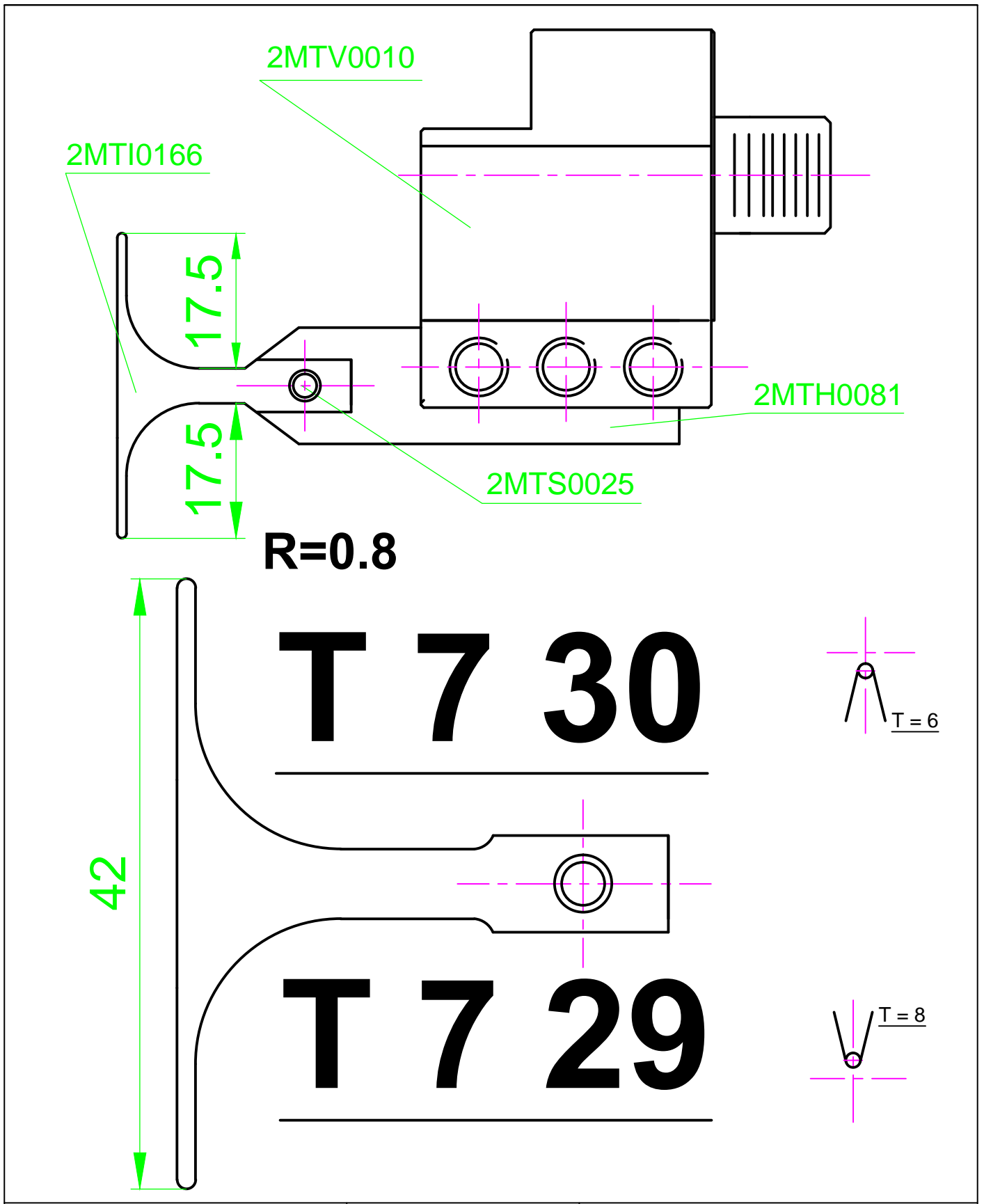


R=0.3 **T 7 19**  T = 6



T 7 07  T = 8

		Scale:	(Material, Raw Material-No.) (Modell-No.)	TOOL-707-719 Part. No.: 000000000000
		1:1	Description	
Date	Name	Tolerances:	Program No.:	Drwg.No.:
Editor 24.06.10	E.PENDL	DIN 7168	No.:000000000000	0000000000
Check 00.00.00	NAME	fine	Replacement for: Drwg.No.	File Name: UTEC_TOOL_707-719
UTEC Sealing Solution Co.,Ltd., No.28 Dong Hong Rd., 215123 Suzhou, P.R. China Tel: +86 (512) 62795018 Fax: +86 (512) 62797880				



Scale: 1:1
 (Material.)
 (Raw Material-No.)
 (Modell-No.)

TOOL-730-729

Description

Part. No.: 00000000000

	Date	Name
Editor	24.06.10	E.PENDL
Check.	00.00.00	NAME

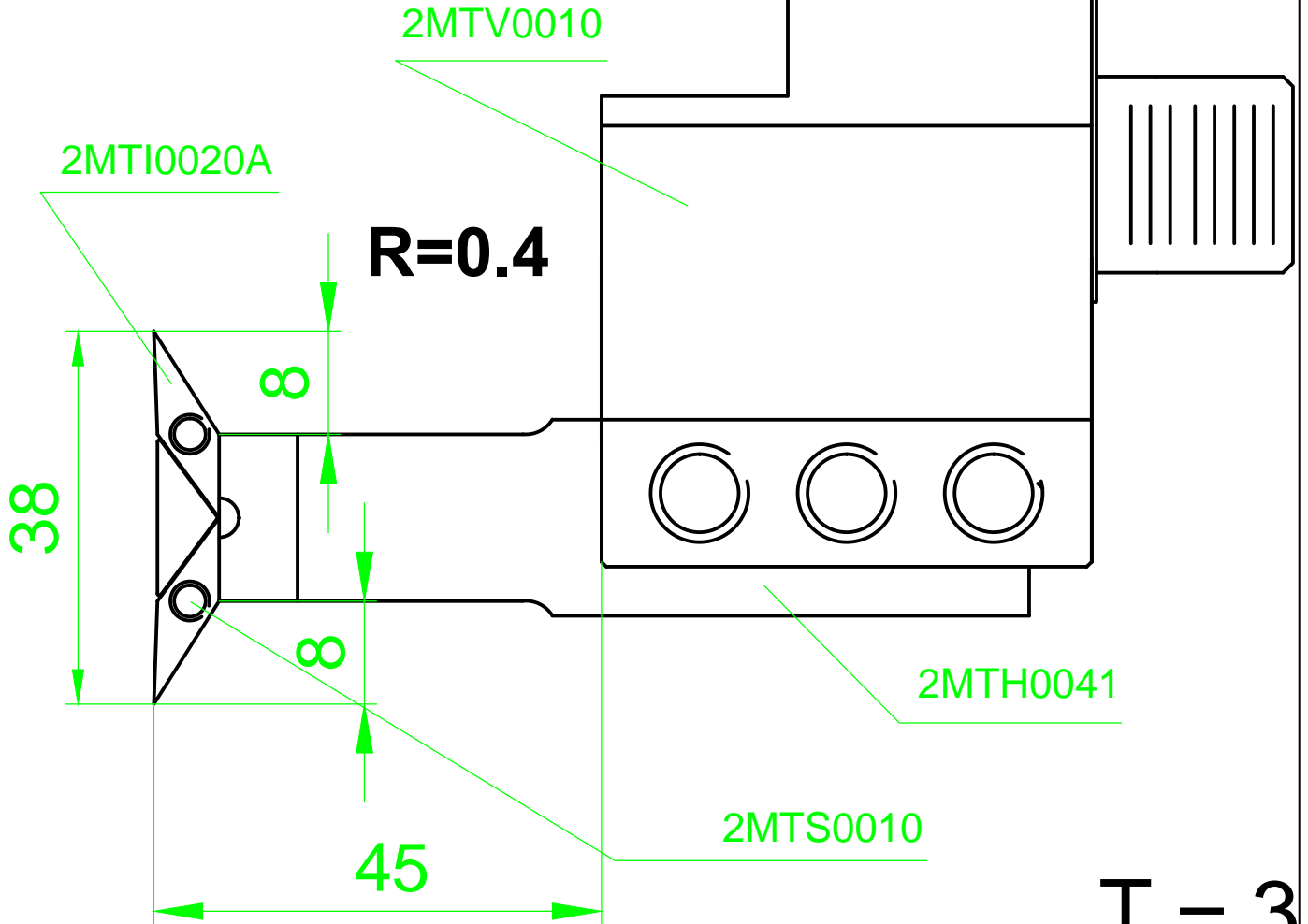
Tolerances: DIN 7168 fine	Program No.:
	No.:000000000000
	Replacement for: Drwg.No.

Drwg.No.:	00000000000
File Name:	UTEK_TOOL_730-729

T 8 20

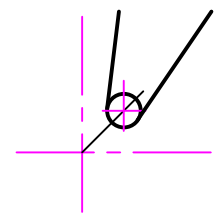
T = 2

HARD MATERIAL



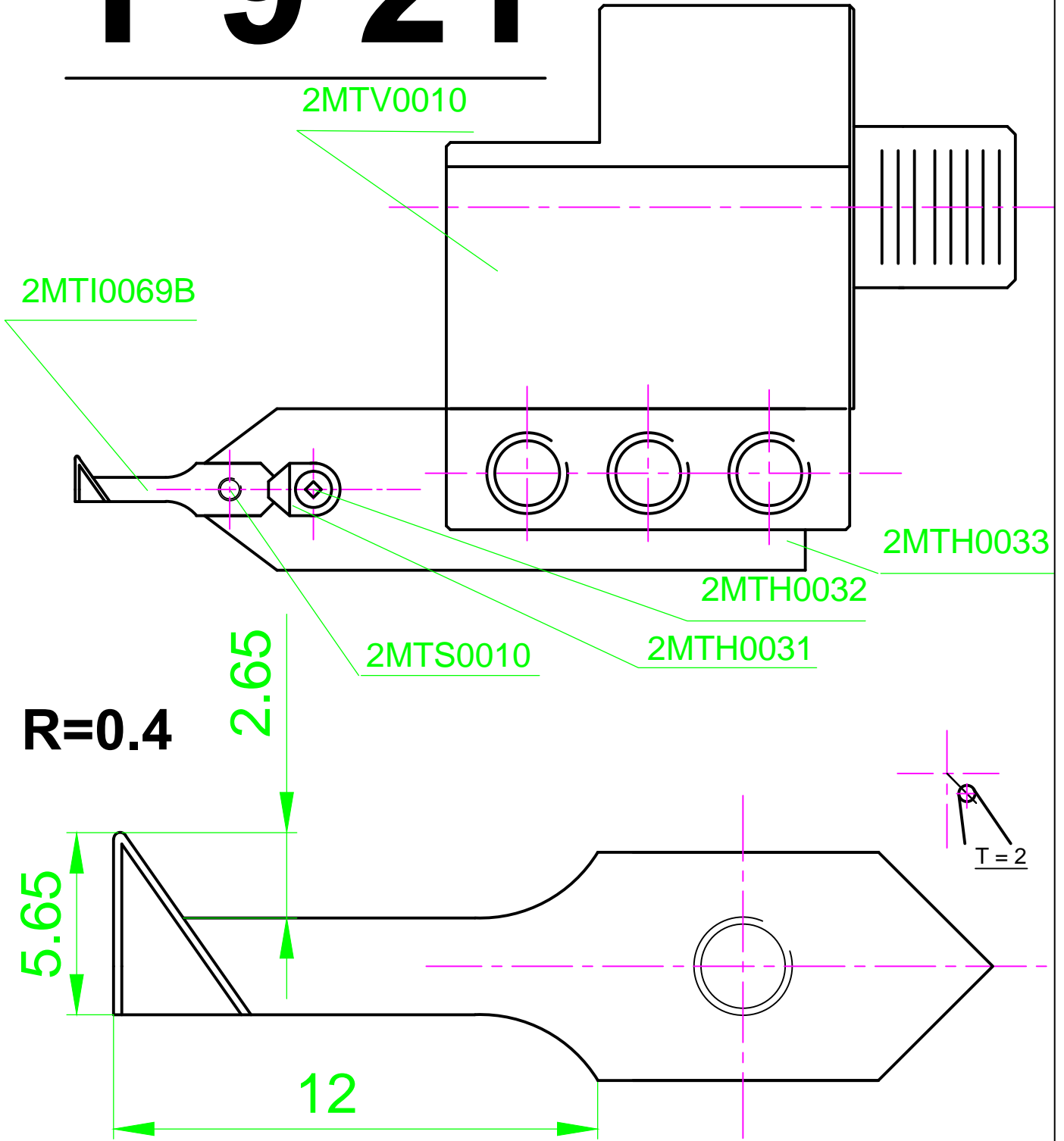
T = 3


T 8 08



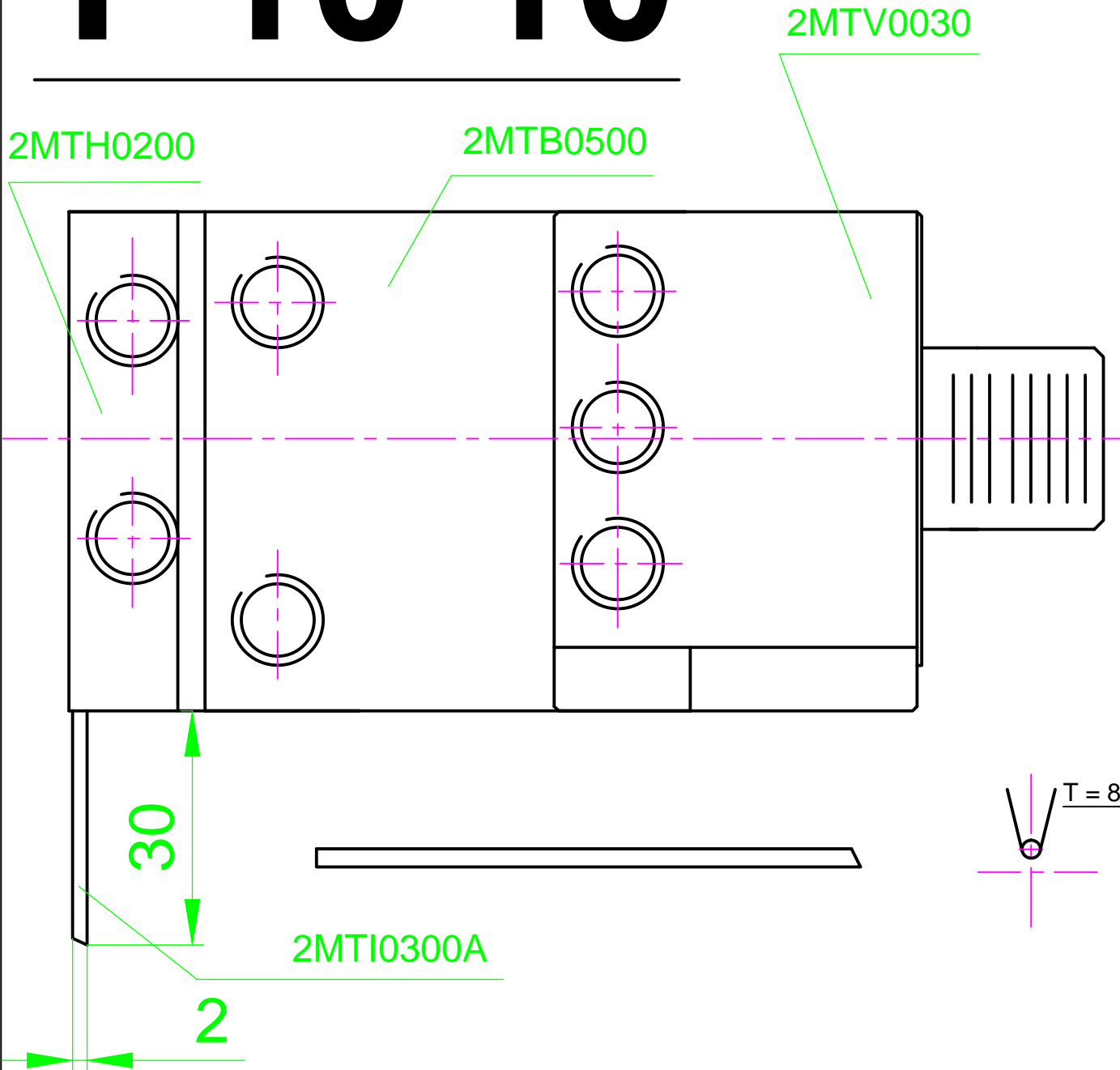
		Scale:	(Material.) (Raw Material-No.) (Modell-No.)	TOOL-808-820 Part. No.: 000000000000
		1:1	Description	
Date	Name	Tolerances:	Program No.:	Drwg.No.:
Editor	24.06.10	E.PENDL	DIN 7168	No.:000000000000
Check.	00.00.00	NAME	fine	Replacement for: Drwg.No.
			File Name: UTEC_TOOL_808-820	
UTEC Sealing Solution Co.,Ltd., No.28 Dong Hong Rd., 215123 Suzhou, P.R. China Tel: +86 (512) 62795018 Fax: +86 (512) 62797880				


T 9 21



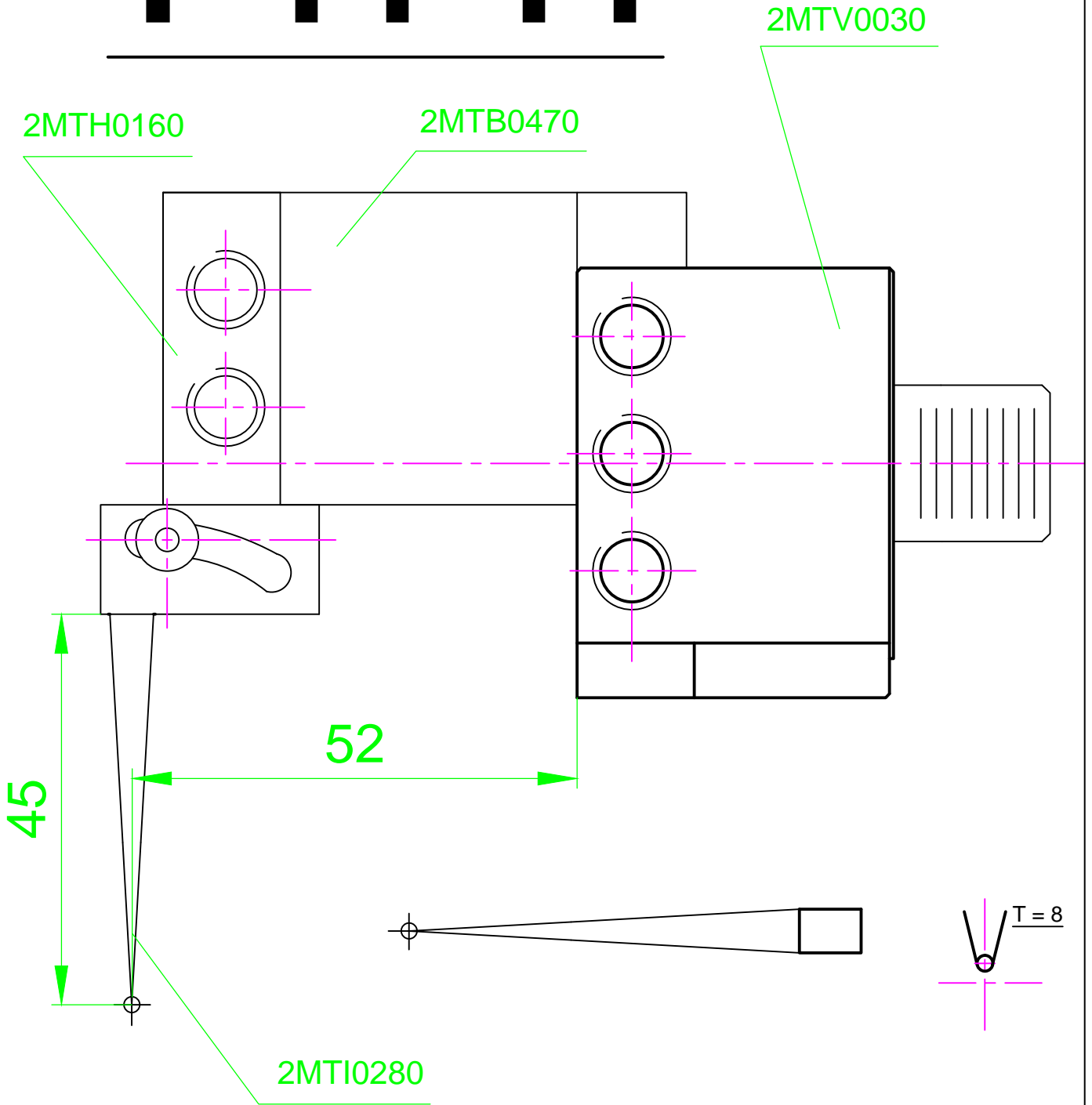
		Scale:	(Material.) (Raw Material-No.) (Modell-No.)	TOOL-921 Part. No.: 000000000000	
		1:1	Description		
Editor	Date	Name	Tolerances:	Program No.:	Drwg.No.:
Check	00.00.00	NAME	DIN 7168	No.:000000000000	0000000000
			fine	Replacement for: Drwg.No.	File Name: UTEC_TOOL_921
UTEC Sealing Solution Co.,Ltd., No.28 Dong Hong Rd., 215123 Suzhou, P.R. China Tel: +86 (512) 62795018 Fax: +86 (512) 62797880					


T 10 10



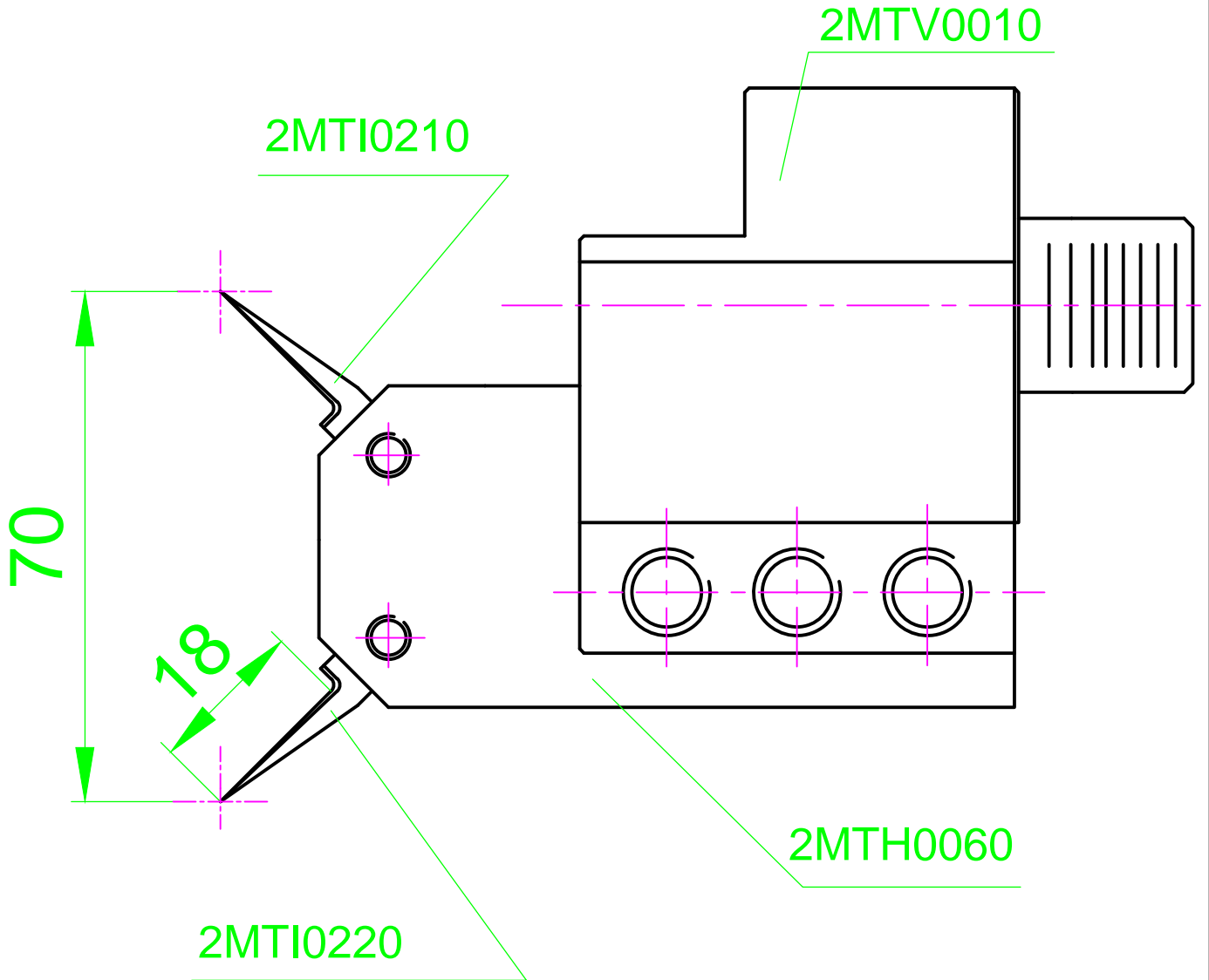
		Scale:	(Material,) (Raw Material-No.) (Modell-No.)	TOOL-1010 Part. No.: 000000000000
		1:1	Description	
Editor	Date	Name	Tolerances:	Program No.:
24.06.10	E.PENDL		DIN 7168	No.:000000000000
Check	00.00.00	NAME	fine	Replacement for:
				Drwg.No.:
				0000000000
				File Name:
				UTEC_TOOL_1010
UTEC Sealing Solution Co.,Ltd., No.28 Dong Hong Rd., 215123 Suzhou, P.R. China Tel: +86 (512) 62795018 Fax: +86 (512) 62797880				

T 11 11




		Scale:	(Material,) (Raw Material-No.) (Modell-No.)	TOOL-1111	
		1:1	Description	Part. No.: 000000000000	
Date	Name	Tolerances:	Program No.:	Drwg.No.:	
Editor 24.06.10	E.PENDL	DIN 7168	No.:000000000000	0000000000	
Check. 00.00.00	NAME	fine	Replacement for: Drwg.No.	File Name: UTEC_TOOL_1111	
UTEC Sealing Solution Co.,Ltd., No.28 Dong Hong Rd., 215123 Suzhou, P.R. China Tel: +86 (512) 62795018 Fax: +86 (512) 62797880					

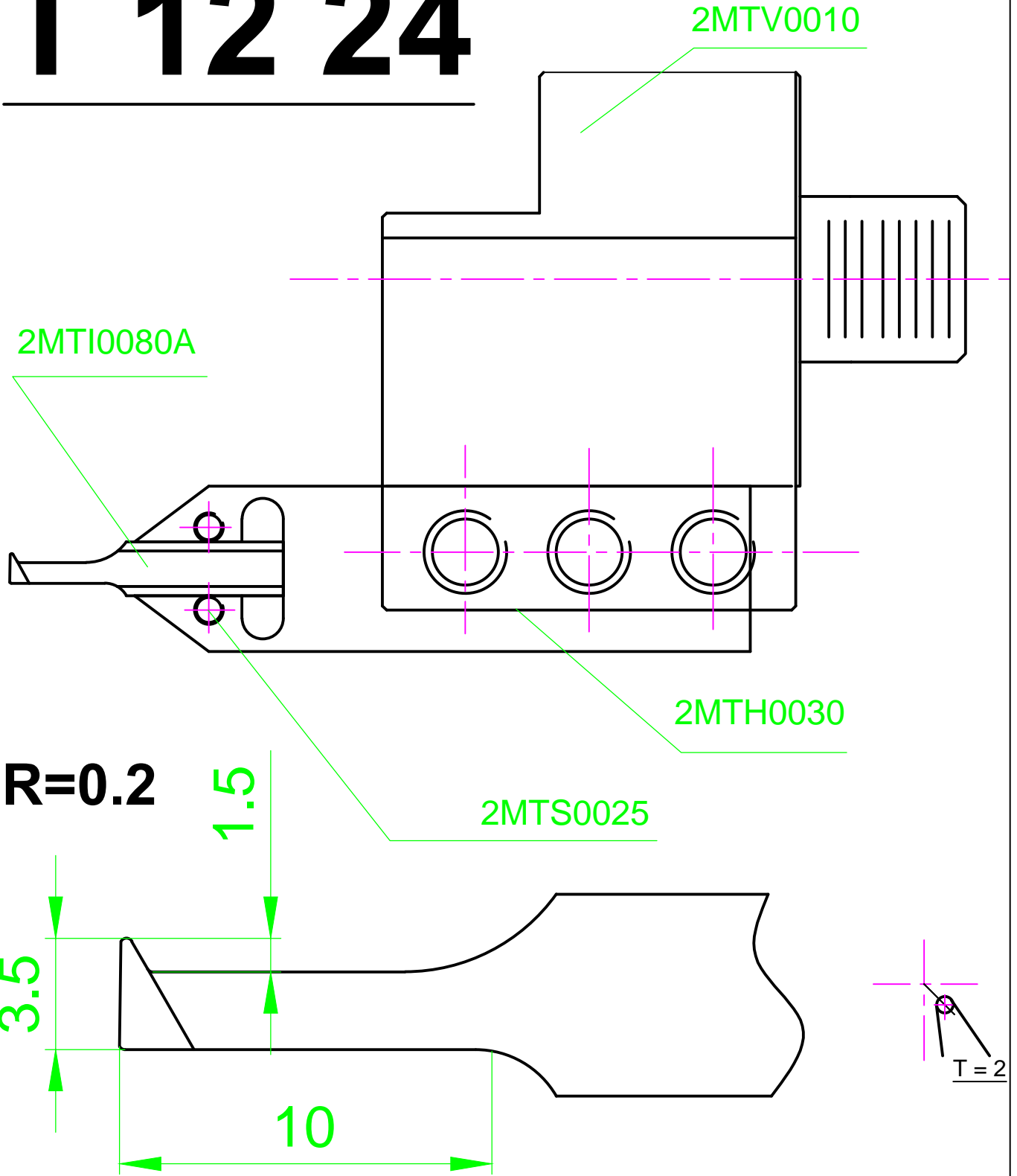
T 11 23




T 11 22

		Scale:	(Material.) (Raw Material-No.) (Modell-No.)	TOOL-1122-1123	
		1:1	Description		Part. No.: 00000000000
Editor	Date	Name	Tolerances:	Program No.:	Drwg.No.:
Check.	00.00.00	NAME	DIN 7168	No.:000000000000	0000000000
			fine	Replacement for: Drwg.No.	File Name: UTEC_TOOL_1122-1123
UTEC Sealing Solution Co.,Ltd., No.28 Dong Hong Rd., 215123 Suzhou, P.R. China Tel: +86 (512) 62795018 Fax: +86 (512) 62797880					

T 12 24



		Scale:	(Material.) (Raw Material-No.) (Modell-No.)	TOOL-1224	
		1:1	Description	Part. No.: 000000000000	
Date	Name	Tolerances:	Program No.:	Drwg.No.:	
Editor 24.06.10	E.PENDL	DIN 7168	No.:000000000000	0000000000	
Check. 00.00.00	NAME	fine	Replacement for: Drwg.No.	File Name: UTEC_TOOL_1224	
UTEC Sealing Solution Co.,Ltd., No.28 Dong Hong Rd., 215123 Suzhou, P.R. China Tel: +86 (512) 62795018 Fax: +86 (512) 62797880					